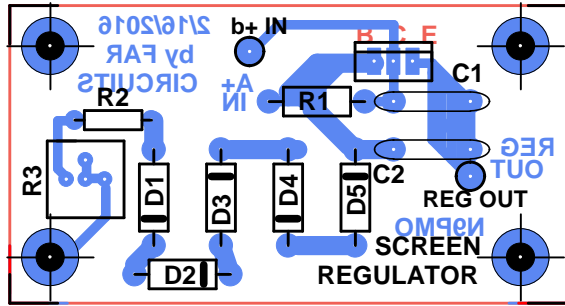


N9PMO SCREEN REGULATOR

5.05" BY 2.8"

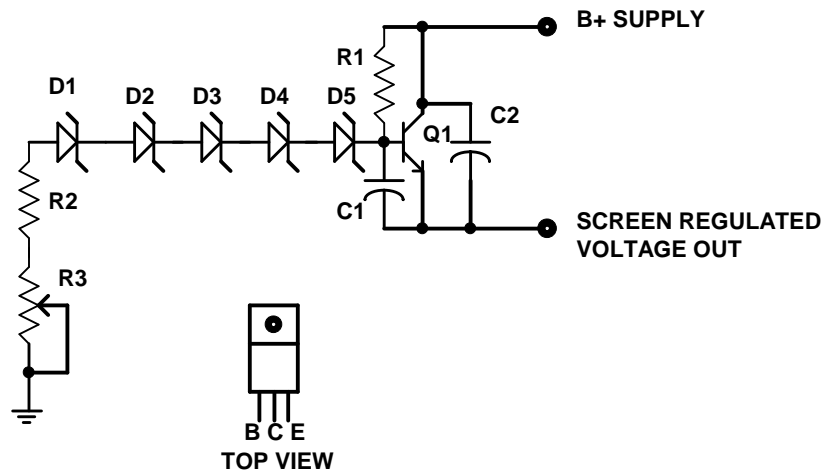
by FAR CIRCUITS 2/26/2016



TOP SIDE VIEW

- D1, D2, D3, D4, D5 75 v 1 w
- C1, C2 .01 1KV
- R1 12K 1W
- R2 OPTIONAL, IF NOT USED
JUMPER WITH A WIRE
- R3 2K 1/2 W BOURNS 3352-1-W
- Q1 TIP50

regulated out is adjustable approximately from 370 to 380V



TOP VIEW