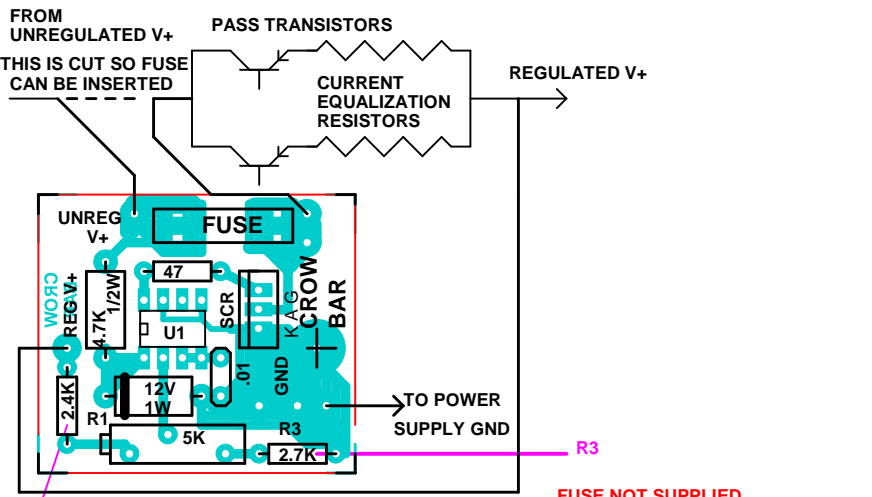


CROW BAR CIRCUIT TO ADD ON TO  
 YOUR POWER SUPPLY FOR OVER VOLTAGE  
 PROTECTION  
 KIT OF PARTS AND P C BOARD \$18.00  
 P C BOARD ONLY \$5.50



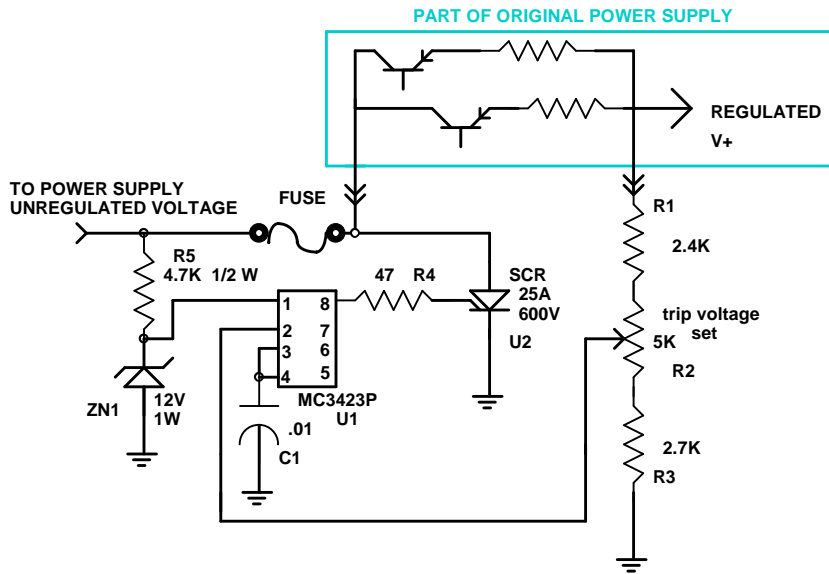
**FUSE NOT SUPPLIED**  
**FUSE IS DETERMINED BY CURRENT**  
**RATING OF POWWER SUPPLY**

By FAR CIRCUITS 1/10/2016

BOARD SIZE 1.8" BY 1.5" 511-TY1612MFP  
 SCR S6025 25 A600V, 2N6509G  
 POT 652-3006P-1-502-LF  
 FUSE ATM SERIES 504-ATM-10  
 FUSE SOCKET 534-3557-2 VERTICAL

12V 1W ZENER BZX85B12-TR, 1N5349BG  
 MC3423P CROWBAR CIRCUIT  
 4.7K 1/2 W MF1/2CC4701  
 .01 DISC CAP  
 2.7K 1/4 W RESISTOR  
 2.4K 1/4 W RESISTOR  
 47 OHM 1/4 W RESISTOR

## CROWBAR POWER SUPPLY PROTECTION FOR 12.V SUPPLY CIRCUIT SCHEMATIC.



The NPE 7172 is a direct replacement for the mc3423p

For 28 volt power supply, with a trip voltage of 33.v, Change R1 to 56K.

The trip voltage for the IC is 2.6v at pin 2. So with 33 v trip voltage at the out put of the supply, Adjust R2 for 2.6 volts at pin 2.

For 12v or 13.8 supply, adjust R2 for 2.6 volts at pin 2 with 15. volts at the out put of the supply.

Use a F1 fuse at the value of 10% more than the max current you require from the power supply.